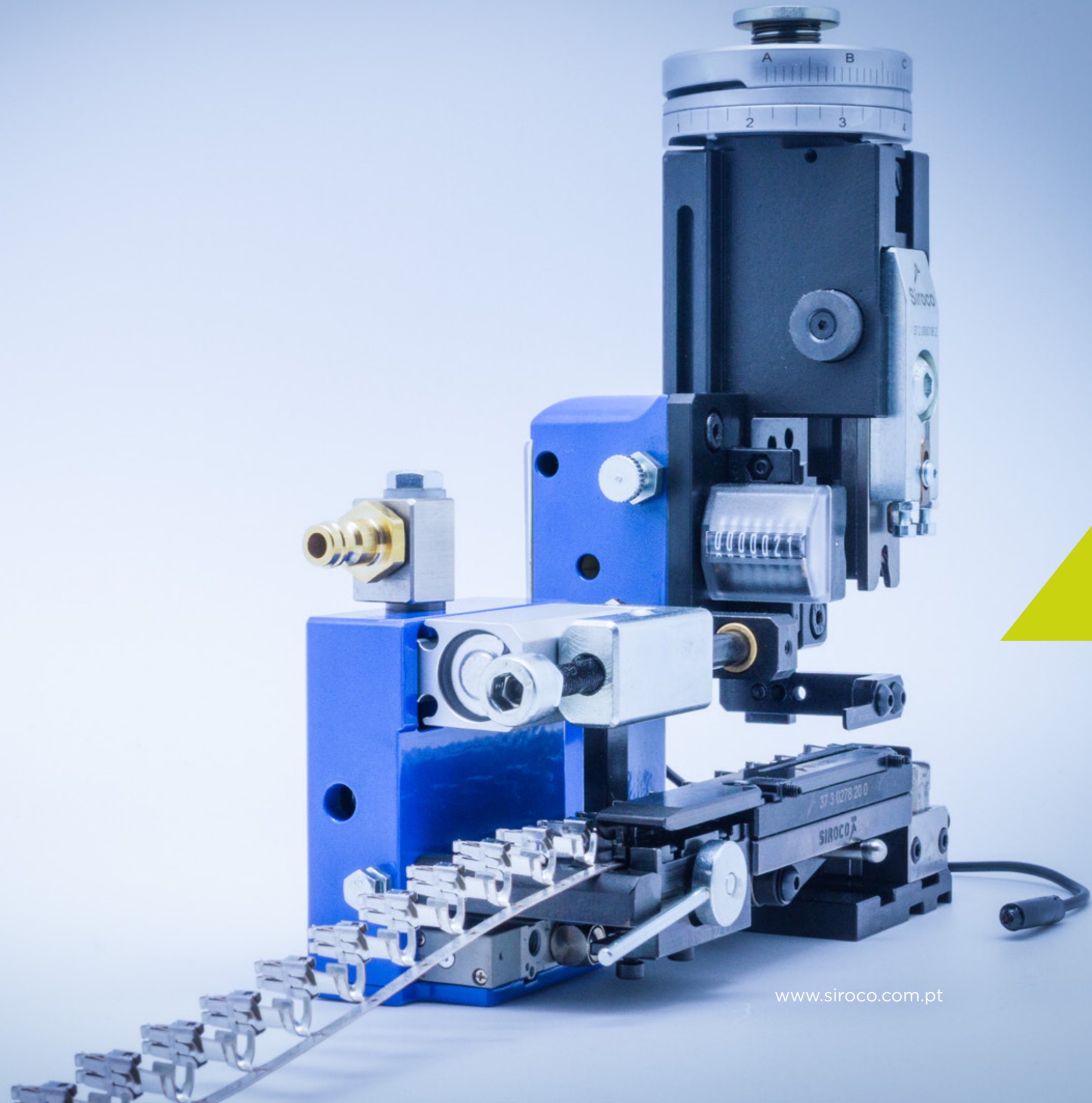


WHERE THE WORLD MEETS INNOVATION



**siroco** 



[www.siroco.com.pt](http://www.siroco.com.pt)

*“Put all you are into  
the smallest thing you do.”*

**Kathy Fehst** | CEO

It's a simple way to describe us. We like what we do and we are committed, to us, to our employees, to our customers, to our suppliers and to everyone we interact daily.

We like sustained growth that substantiates trust, value by which we guide our performance.

Innovative solutions through continuous learning allied to “out of the box” thinking or if needed “inside the box”, make up a blend of expertise built on years of experience, attention to detail, fast responses and result in value adding solutions that meet our customer's expectations.

We embrace SIROCO as a family that commits itself to you through its values. Our goal is to create long term relationships in which we support our customers growth, while leading a socially and environmentally conscious business. This is our DNA, this is our contribution.

# Welcome to Siroco,S.A.

We are dedicated since 1988 to the special machine construction, featuring specifically automation solutions for high-efficient assembly lines. Our development, design and construction of machines is exclusive adapted to customer specific needs, providing complex and individual solutions.

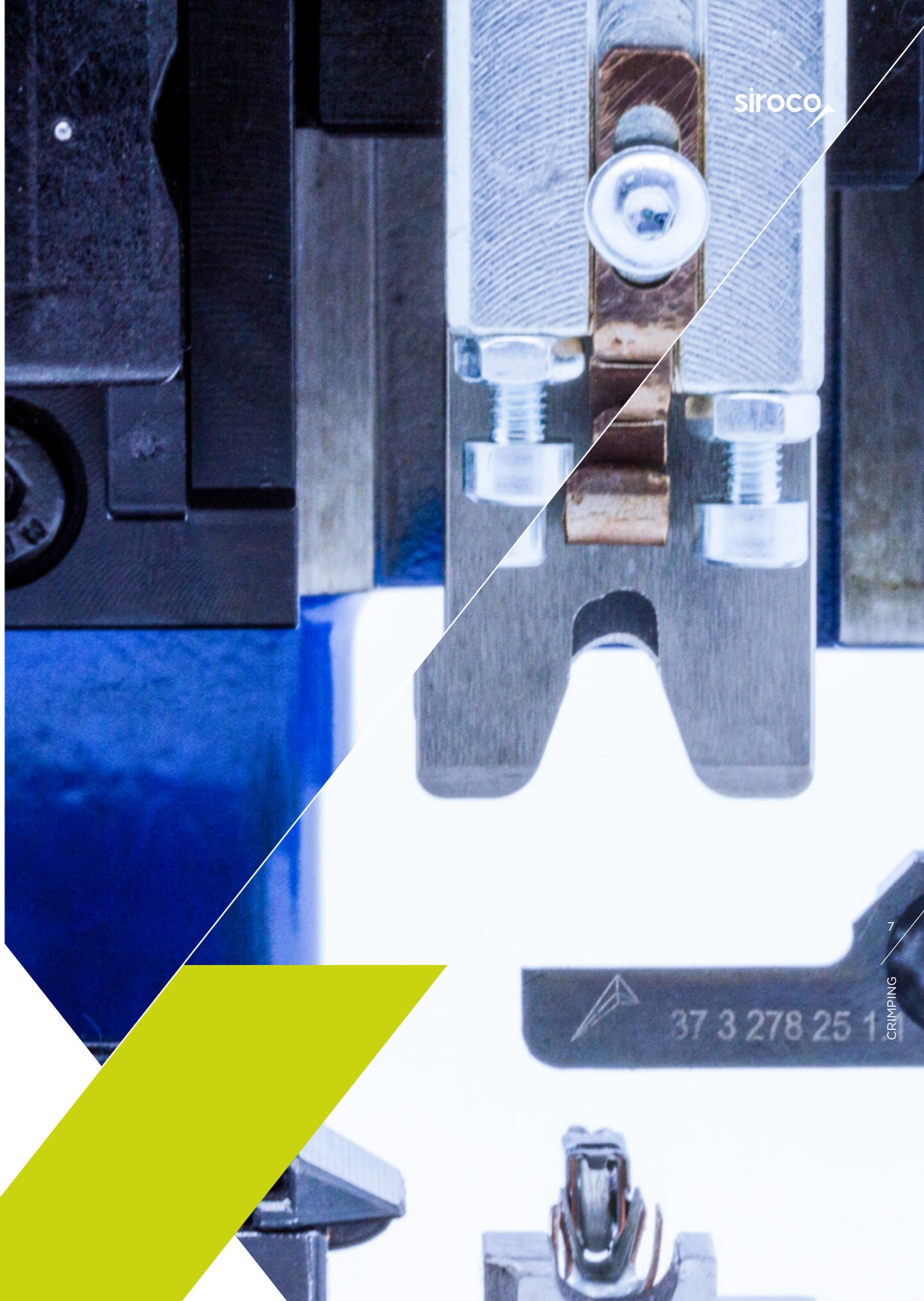
We offer pneumatic crimping machines going up to fully automatic machines with integrated crimping tools for the wire industry. Our large variety of accessories for customer tools and all the necessary wear and spare parts are delivered on-time and on-budget.

With a team of high skilled technicians, we are able of giving the necessary support throughout the tool life cycle. Presently we have over 9.000 active tools operating worldwide at customers, guaranteed high product quality as well as professional service.

Having 30 years of experience our team is capable in developing, produce and install tools, machines and jigs for the wire and harness industry.

Our innovative company has its core competence in special machinery and plant construction as well as development of prototypes. With our business divisions crimping, we can offer our customer a wide range of services.

Tailor-made combinations reinforced by innovative solutions provide an added value in reducing actual production costs and further improvement on your final product. We ship our machines worldwide and commissioning on-site complete our performance. On the next pages, you will find data of our competences, some of our actual products as well as insight on Spare -Wear parts and Extractors.



# COMPETENCES

*The most effective way to do it, is to do it.*

## Our Services

---

In-house development  
Project Planning

Laboratory for detailed inspection and analysis of the required crimp terminals

Calibration system for adjustment of standard press shut height

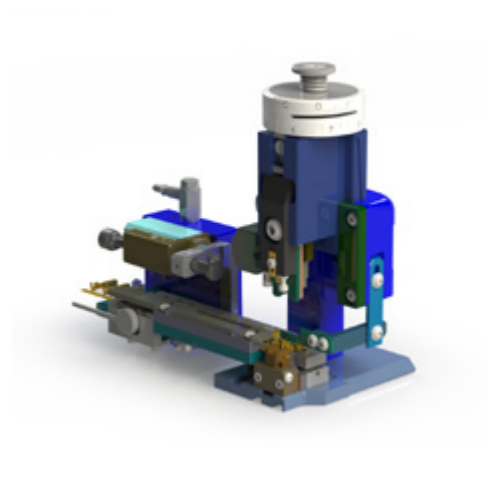
Machine capability according to ISO Standards.

After Sales  
Technical and Production Support  
Production Analysis  
Training Program  
Industrial Maintenance

## Quality Assurance

---

EN ISO 9001:2008  
EN ISO 14001:2004  
CE Certified machine delivery



Platform

Mini Applicator  
Pneumatic End Feed  
(Left)

**Type 37**

Applicator for 90% of standard terminals

Wire range: <10.0 mm<sup>2</sup>;

Fine Adjustment Crimp Height  
(0,01/ 0,02 mm)

Easy and chip to adaptation  
to new Terminals

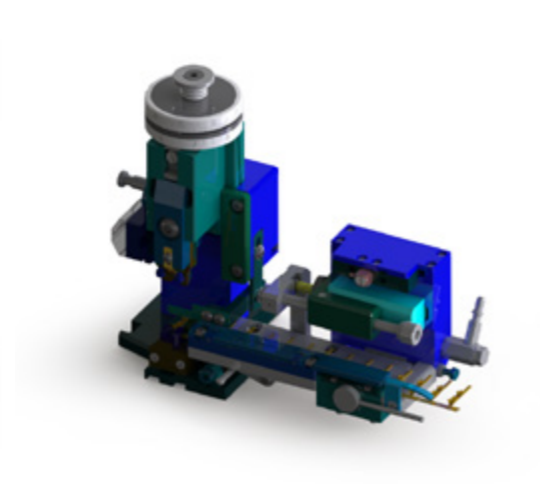
Fine adjustment pneumatic  
feed available

Press stroke: 40.0

Shut height: 135.78mm

Robust and hardness casting

Accurate pneumatic feeding



Platform

Mini Applicator  
Pneumatic End Feed  
(Right)

**Type 36**

Applicator for 90% of standard terminals

Wire range: 10.0 mm<sup>2</sup>

Fine Adjustment Crimp Height  
(0,01/ 0,02 mm)

Easy and chip to adaptation  
to new Terminals

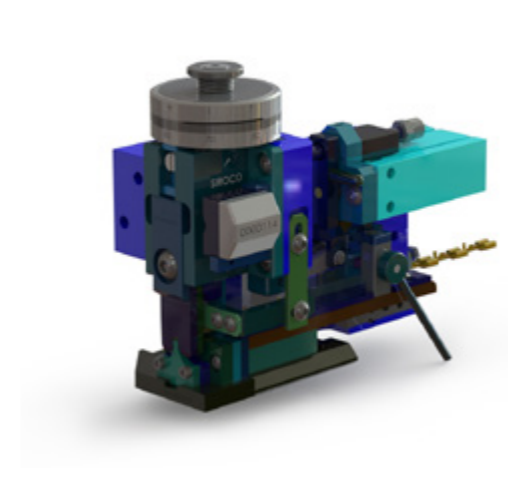
Fine adjustment pneumatic feed  
available

Press stroke: 40.0

Shut height: 135.78mm

Robust and hardness casting

Accurate pneumatic feeding



Platform

Mini Applicator for  
Strip Form Terminals

**Type 35**

Applicator for 90% of standard terminals

Fine Adjustment Crimp Height  
(0,01/ 0,02 mm)

Easy and chip to adaptation  
to new Terminals

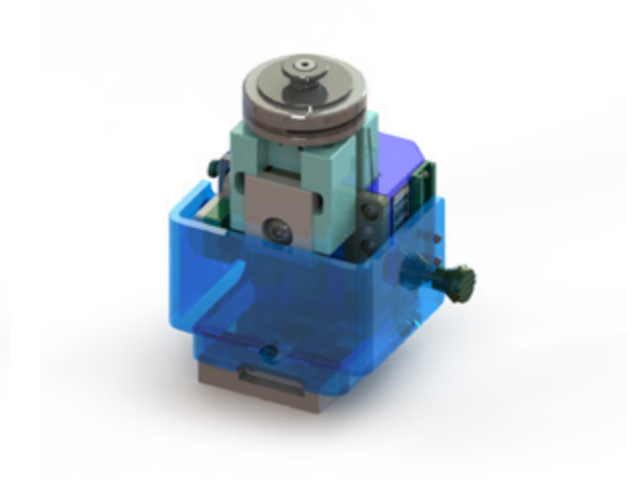
Fine adjustment pneumatic  
feed available

Press stroke: 40.0

Shut height: 135.78mm

Robust and hardness casting

Accurate pneumatic feeding



Platform

Applicators for Special  
Terminals

**Type 20**

Applicator for special terminals

Wire range: <16.0 mm<sup>2</sup>

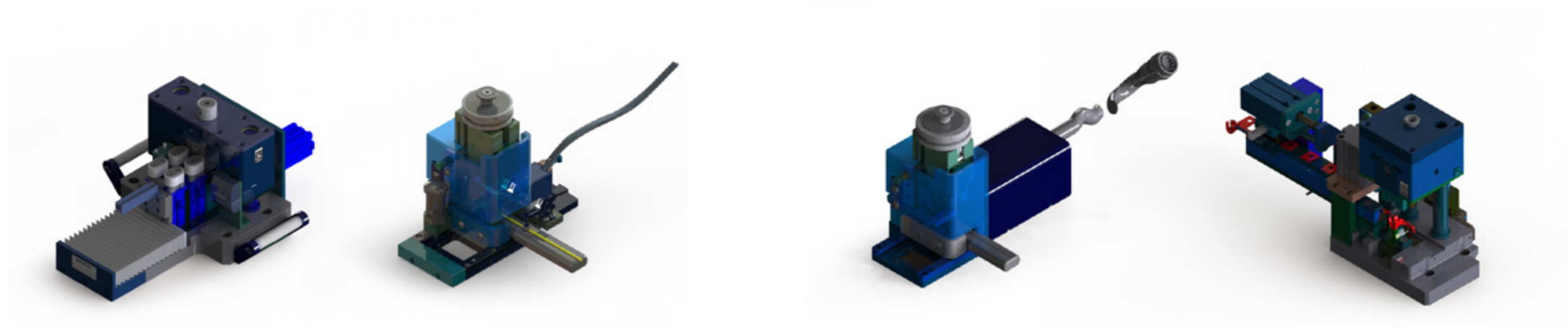
Fine Adjustment Crimp Height  
(0,02/0,04mm)

Easy and chip to adaptation to new  
Terminals

Press stroke: 40.0

Shut height: 135.78mm

Robust and hardness casting



Platform

Applicators for Special Terminals

**Type 95 Special**

Applicator for special terminals

Wire range: >16.0 mm<sup>2</sup>

Fine Adjustment Crimp Height

Easy and chip to adaptation to new Terminals

Press stroke: Defined by the customer's press

Shut height: Defined by the customer's press

Robust and hardness casting

Accurate pneumatic feeding

Platform

Applicators for Special Terminals

**Type 95 Manual**

Applicator for special terminals

Wire range: <16.0 mm<sup>2</sup>

Fine Adjustment Crimp Height (0,02/0,04mm)

Easy and chip to adaptation to new Terminals

Press stroke: 40.0

Shut height: 135.78mm

Robust and hardness casting

Platform

Applicators for Special Terminals

**Type 95 Pneumatic**

Applicator for special terminals

Wire range: <16.0 mm<sup>2</sup>

Fine Adjustment Crimp Height (0,02/0,04mm)

Easy and chip to adaptation to new Terminals

Press stroke: 40.0

Shut height: 135.78mm

Robust and hardness casting

Accurate pneumatic feeding

Platform

Applicator for Bending and Crimping Terminals

**Type 97**

Applicator for special terminals

Wire range: >16.0 mm<sup>2</sup>

Fine Adjustment Crimp Height

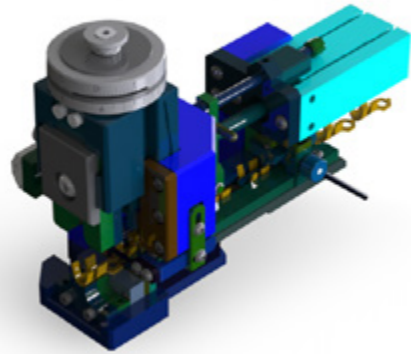
Fine adjustment pneumatic feed available

Press stroke: Defined by the customer's press

Shut height: Defined by the customer's press

Robust and hardness casting

Accurate pneumatic feeding



Platform

### Big Applicator for Strip Form Terminals

#### Type B35

Applicator for big terminals and special terminals

Wire range: >10.0 mm<sup>2</sup>, <20.0 mm<sup>2</sup>

Fine Adjustment Crimp Height (0,02/0,04mm)

Easy and chip to adaptation to new Terminals

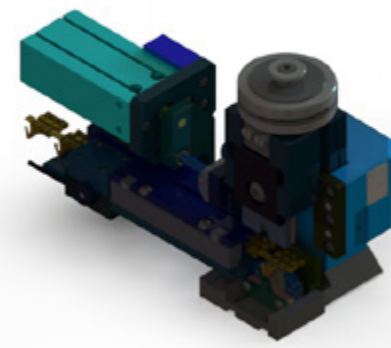
Fine adjustment pneumatic feed available

Press stroke: 40.0

Shut height: 135.78mm

Robust and hardness casting

Accurate pneumatic feeding



Platform

### Big Applicator Pneumatic End Feed

#### Type B37

Applicator for big and special terminals

Wire range: >10.0 mm<sup>2</sup>, < 20.0 mm<sup>2</sup>

Fine Adjustment Crimp Height (0,02/0,04mm)

Easy and chip to adaptation to new Terminals

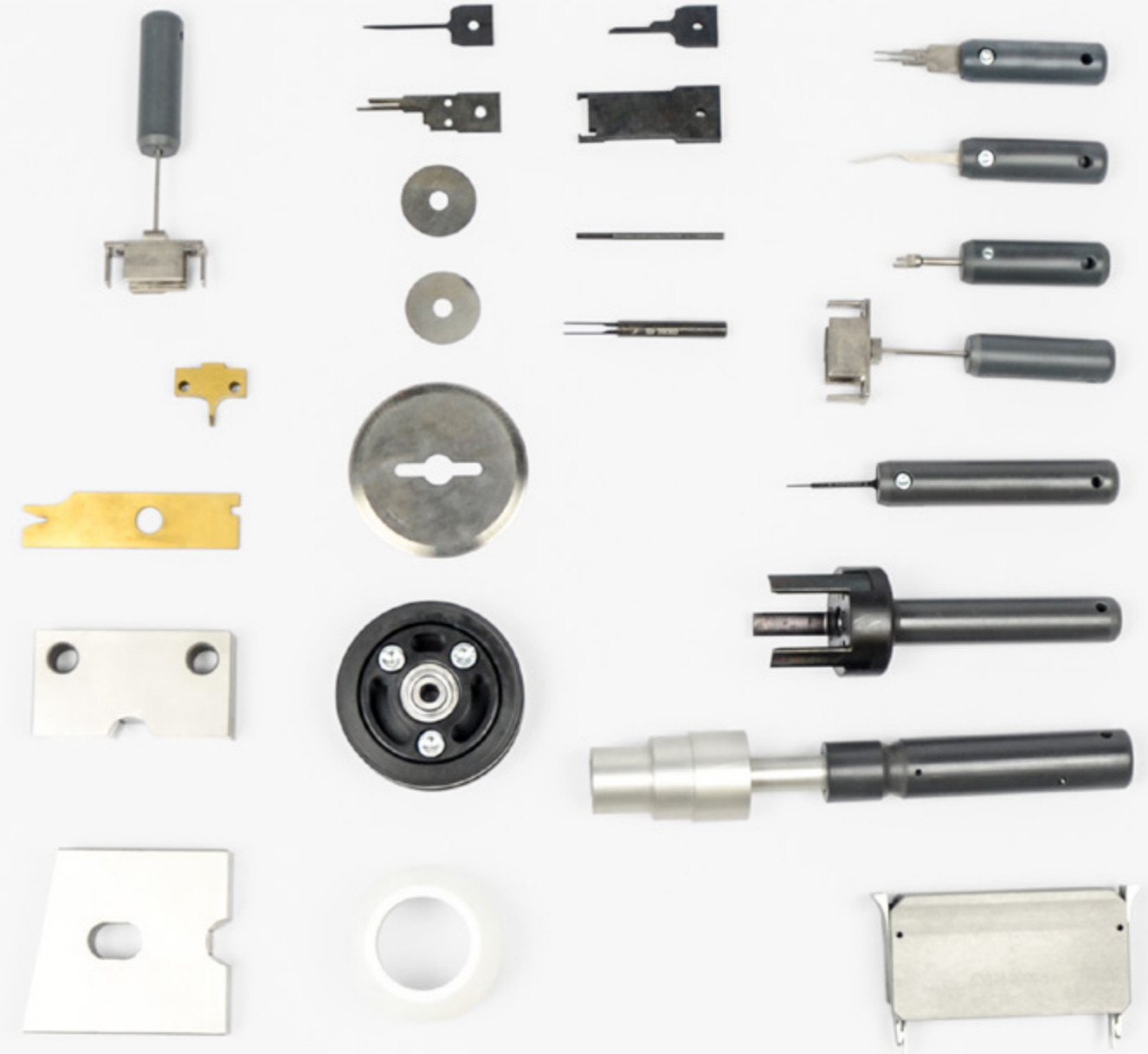
Fine adjustment pneumatic feed available

Press stroke: 40.0

Shut height: 135.78mm

Robust and hardness casting

Accurate pneumatic feeding



Extractor  
Blades  
Spare Parts





Zona Industrial de Taboeira  
Apartado 3050 · P-3801-101 Aveiro  
PORTUGAL

T. +351 234 303 170 · F. +351 234 303 171  
siroco@siroco.com.pt

[www.siroco.com.pt](http://www.siroco.com.pt)

Cofinanciado por:

